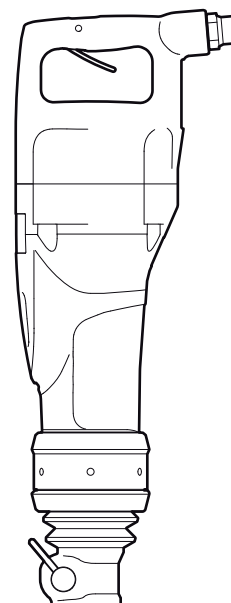


Spare parts list

Handheld pneumatic pick hammers



Contents

| | |
|---|----|
| General information..... | 5 |
| Spare parts list..... | 6 |
| TEX 12PE..... | 6 |
| Working tools..... | 9 |
| ISO standard hexagon 22 x 82.5 mm (7/8 x 3¼ in.)..... | 9 |
| Round 25 x 75 mm (1 x 3 in.)..... | 10 |
| Accessories..... | 11 |
| Breaker and hammer AIR-OIL..... | 11 |
| Optional equipment..... | 12 |

General information

This spare parts list applies to the following:

| Part number | Description |
|--------------|--|
| 8461 0211 38 | Handheld pneumatic breaker TEX 12PE H22 x 82.5 mm (H7/8 x 3¼ in.) |
| 8461 0211 39 | Handheld pneumatic breaker TEX 12PE R25 x 75 mm (R1 x 3 in.) |

Use only authorized parts. Any damage or malfunction caused by the use of unauthorized parts is not covered by Warranty or Product Liability. Any unauthorized use or copying of the contents or any part thereof is prohibited. This applies in particular to trademarks, model denominations, part numbers, and drawings.

Instructions for use

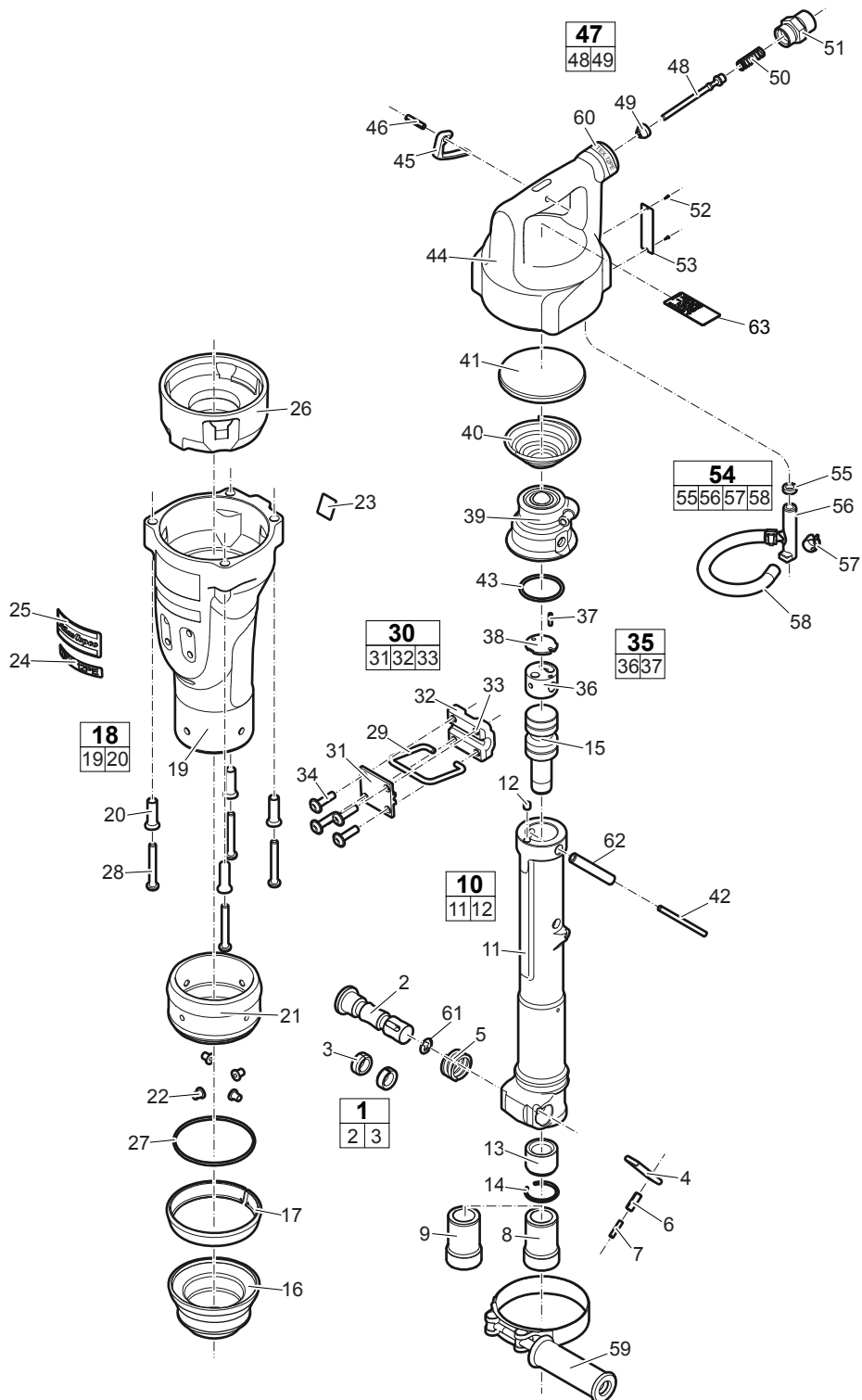
This spare parts list contains no safety regulations and is merely intended to assist in the ordering of spare parts.

For information about operating, servicing, or repairing, the relevant Safety and operating instructions must be consulted at all costs.

Please observe the safety instructions listed in the relevant Safety and operating instructions!

Spare parts list

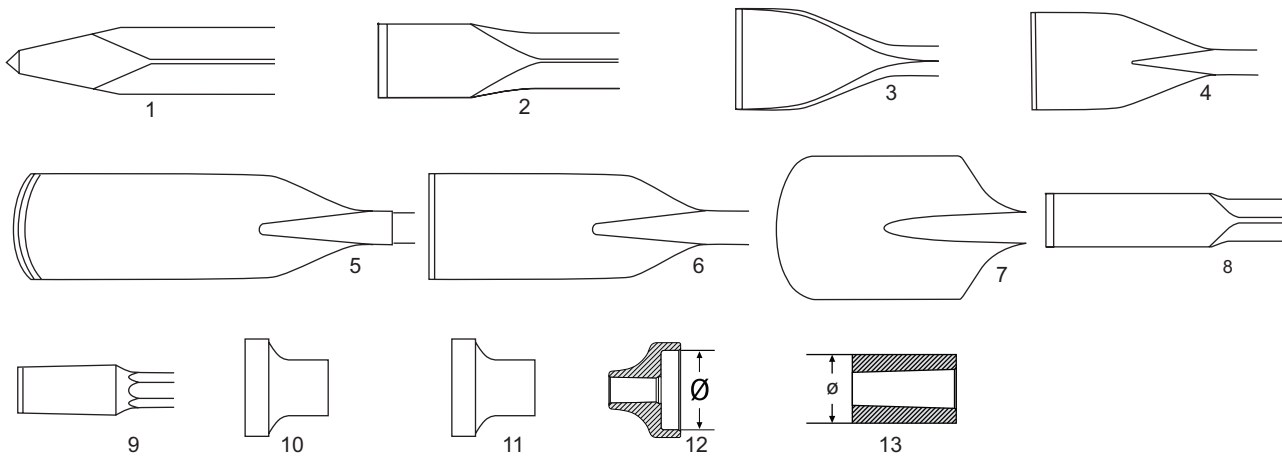
TEX 12PE



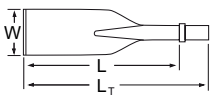
| No. | Description | Remark | Quantity | Part number |
|------------------|--------------------------------|----------------------------|----------|--------------|
| 1(2-3) | Tool retainer, complete | | 1 | 3310 1413 80 |
| 2 | Tool retainer | | 1 | - |
| 3 | Bush | | 2 | 3310 1414 00 |
| 4 | Lever | | 1 | 3310 1415 00 |
| 5 | Spring | | 1 | 3310 1486 00 |
| 6 | Spring pin | | 1 | 0108 1103 16 |
| 7 | Spring pin | | 1 | 0108 1103 17 |
| 8 | Chuck, hexagon | For TEX 12PE H22 x 82.5 mm | 1 | 3310 1316 00 |
| 9 | Chuck, round | For TEX 12PE R25 x 75 mm | 1 | 3310 1317 00 |
| 10(11-12) | Cylinder, complete | | 1 | 3310 1399 80 |
| 11 | Cylinder | | 1 | - |
| 12 | Plug | | 1 | 3310 1473 00 |
| 13 | Intermediate part | | 1 | 3310 0870 00 |
| 14 | Lock ring | | 1 | 3310 0871 00 |
| 15 | Piston | | 1 | 3310 1390 00 |
| 16 | Bellow | | 1 | 3310 1412 00 |
| 17 | Clamping ring | | 1 | 3310 1407 00 |
| 18(19-20) | Silencer, complete | | 1 | 3310 1404 80 |
| 19 | Silencer | | 1 | - |
| 20 | Bush | | 4 | 3310 1555 00 |
| 21 | Ring | | 1 | 3310 1405 00 |
| 22 | Hexagon socket screw | | 4 | 0215 0006 35 |
| 23 | Sound label | | 1 | - |
| 24 | Label | | 1 | 3310 1553 00 |
| 25 | Label | | 1 | 0690 1101 02 |
| 26 | Buffer ring | | 1 | 3310 1515 80 |
| 27 | O-ring | | 1 | 0663 6143 00 |
| 28 | Hexagon socket screw | MC6S 8 x 60 8.8 | 4 | 0211 1102 24 |
| 29 | Link arm | | 1 | 3310 1409 00 |
| 30(31-33) | Bearing, complete | | 1 | 3310 1410 80 |
| 31 | Upper plate | | 1 | - |
| 32 | Lower plate | | 1 | - |
| 33 | Thread insert | | 4 | - |
| 34 | Hexagon socket screw | | 4 | 0215 0006 36 |
| 35(36-37) | Cover, complete | | 1 | 3310 1386 80 |
| 36 | Cover | | 1 | - |
| 37 | Pin | | 1 | 0102 0242 00 |
| 38 | Main valve | | 1 | 3310 1387 00 |
| 39 | Valve house | | 1 | 3310 1447 80 |
| 40 | Conical spring | | 1 | 3310 1445 00 |
| 41 | Spring seat | | 1 | 3310 1545 00 |
| 42 | Pin | | 1 | 3310 1599 00 |
| 43 | O-ring | | 1 | 0663 2111 69 |
| 44 | Back head | | 1 | 3310 1401 00 |
| 45 | Trigger | | 1 | 3310 1421 00 |
| 46 | Spiral pin | | 1 | 0108 3328 00 |
| 47(48-49) | Valve stem, complete | | 1 | 3310 1281 80 |
| 48 | Valve stem | | 1 | - |
| 49 | Inlet valve | | 1 | 3310 1135 00 |
| 50 | Spring | | 1 | 3310 1130 00 |
| 51 | Nipple | ¾ in. -14 NTP | 1 | 3310 1131 01 |
| 52 | Screw | | 2 | 0244 4144 00 |
| 53 | Data plate | | 1 | - |

| No. | Description | Remark | Quantity | Part number |
|-----------|-------------------|--------|----------|--------------|
| 54(55-58) | Hose, complete | | 1 | 3310 1554 90 |
| 55 | Seal | | 1 | 3310 1556 00 |
| 56 | Nipple | | 1 | - |
| 57 | Spring band clamp | | 2 | 0347 0102 05 |
| 58 | Hose | | 1 | - |
| 59 | Handle | | 1 | 3310 1557 80 |
| 60 | Label | | 1 | 3310 1553 02 |
| 61 | Label | | 1 | 8915 0021 43 |
| 62 | Bushing | | 1 | 3310 1575 00 |
| 63 | Label | Safety | 1 | 3310 1602 00 |

Working tools



ISO standard hexagon 22 x 82.5 mm (7/8 x 3 1/4 in.)

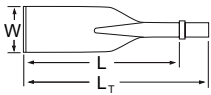


Point to flat



| No. | Description | W (mm) | L (mm) | L _T (mm) | Wt (kg) | Part number |
|-----|-----------------------|--------|--------|---------------------|---------|--------------|
| 1 | Moil point | - | 380 | 475 | 1.6 | 3083 3242 00 |
| | | - | 1000 | 1095 | 3.6 | 3083 3243 00 |
| 2 | Narrow chisel | - | 380 | 475 | 1.6 | 3083 3244 00 |
| | | - | 1000 | 1095 | 3.6 | 3083 3245 00 |
| 3 | Wide chisel | 75 | 380 | 475 | 2.2 | 3083 3246 00 |
| 4 | Asphalt cutter | 125 | 380 | 475 | 3.0 | 3083 3069 00 |
| 5 | Digging chisel | 75 | 450 | 545 | 3.3 | 3083 3247 00 |
| 6 | Digging spade | 120 | 400 | 495 | 3.8 | 3083 3248 00 |
| 7 | Clay spade | 125 | 430 | 525 | 3.7 | 3083 3249 00 |
| 8 | Frost wedge | 35 | 380 | 475 | 2.3 | 3083 3250 00 |
| 9 | Shaft for tamping pad | - | 310 | 405 | 1.7 | 3083 3251 00 |
| 10 | Tamping pad, round | Ø175 | - | - | 7.6 | 3083 3252 10 |
| 11 | Tamping pad, square | 175 | - | - | 6.1 | 3083 3239 00 |
| 12 | Driver pad, round | Ø65 | - | - | 1.9 | 3317 8060 12 |
| | | Ø100 | - | - | 2.6 | 9245 2817 90 |
| 14 | Posthole tool | 40 | - | - | 2.7 | 9245 2822 30 |

Round 25 x 75 mm (1 x 3 in.)



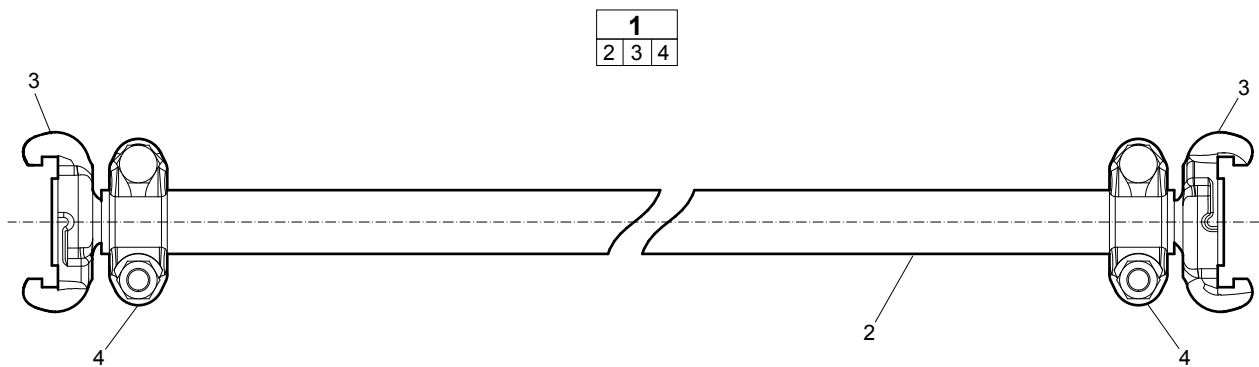
| No. | Description | W (mm) | L (mm) | L _T (mm) | Part number |
|-----|---------------|--------|--------|---------------------|--------------|
| 1 | Moil point | - | 330 | 415 | 3083 3265 00 |
| | | - | 450 | 535 | 3083 3265 10 |
| 2 | Narrow chisel | - | 330 | 415 | 3083 3266 00 |
| | | - | 450 | 535 | 3083 3266 10 |

Accessories

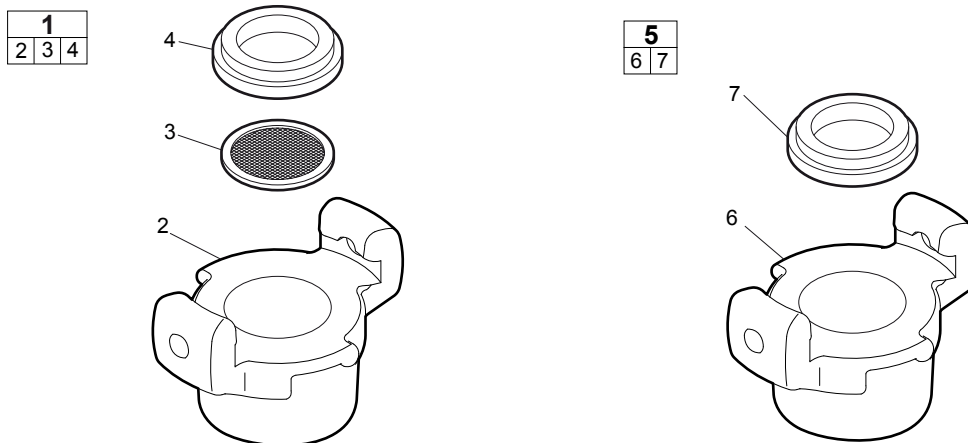
Breaker and hammer AIR-OIL

| Description | Remark | Quantity | Part number |
|-----------------------------------|--------------------------|----------|--------------|
| Breaker and hammer AIR-OIL | 0.25 l 0.06 US gallon | 1 | 8099 0202 40 |
| Breaker and hammer AIR-OIL | 1 l 0.26 US gallon | 1 | 8099 0202 36 |
| Breaker and hammer AIR-OIL (pack) | 1 l 0.26 US gallon | 20 | 8099 0202 81 |
| Breaker and hammer AIR-OIL | 5 l 1.32 US gallon | 1 | 8099 0202 02 |
| Breaker and hammer AIR-OIL (pack) | 5 l 1.32 US gallon | 4 | 8099 0202 85 |

Optional equipment



| No. | Description | Remark | Quantity | Part number |
|--------|---|---------------------------|----------|--------------|
| 1(2-4) | Handhose with couplings and hose clamps | | 1 | 9030 2090 00 |
| 2 | Rubber hose | L = 3 m L = 118.11 in. | 1 | 9030 2090 03 |
| 3 | Claw coupling | ø12.5 mm ø0.50 in. | 2 | 9000 0310 00 |
| 4 | Hose clamp | ø12.5 mm ø0.50 in. | 2 | 9000 0194 00 |



| No. | Description | Remark | Quantity | Part number |
|--------|---------------------------------------|------------------------------|----------|--------------|
| 1(2-4) | Claw coupling with strainer, complete | | 1 | 9000 0306 01 |
| 2 | Claw coupling | Standard G $\frac{3}{4}$ in. | 1 | - |
| 3 | Strainer | | 1 | 9000 0000 10 |
| 4 | Seal | | 1 | 9000 0000 00 |
| 5(6-7) | Claw coupling, complete | | 1 | 9000 0306 00 |
| 6 | Claw coupling | Standard G $\frac{3}{4}$ in. | 1 | - |
| 7 | Seal | | 1 | 9000 0000 00 |



Any unauthorized use or copying of the contents or any part thereof is prohibited.
This applies in particular to trademarks, model denominations, part numbers, and drawings.